



**Revolution  
Roofing**  
STEEL YOURSELF

V-DECK

REVSPEC

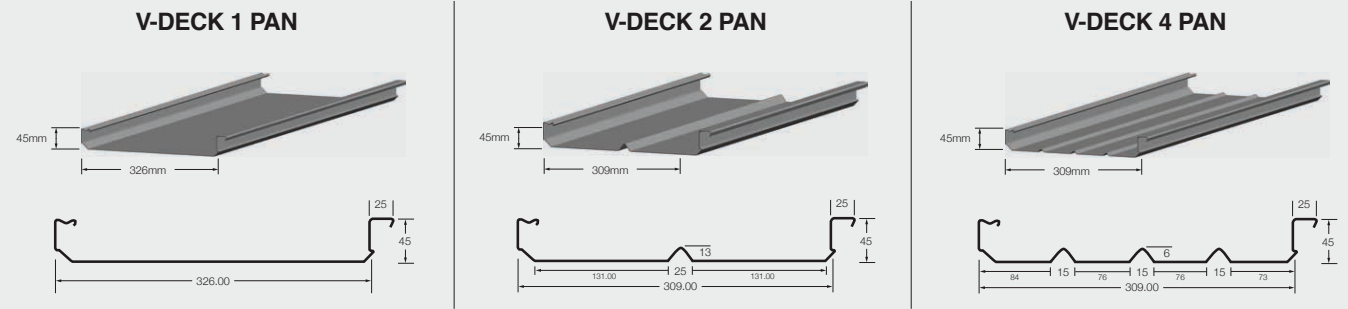
REVSPEC

V14.0

# V-Deck

## OVERVIEW

Minimum Roof Pitch	1 Degrees
Maximum Sheet Length	12 Metres
Spring Curving	N/A
Mechanical Curving	N/A
Watertight Guarantee	N/A



## PROFILE AVAILABLE

NSW	NT	QLD	TAS	SA	VIC	WA	CYCLONIC
✓		✓	✓	✓	✓	✓	

## AVAILABLE FINISHES

HERITAGE GALVANISED	NEXTEEL	NextSTAR™ ULTRA	METALLIC	NextREME™ Aluminium	CORTEN	COPPER	STAINLESS STEEL
	✓	✓	✓				
PERFORATED	FENCING	VICTORY					
		✓					

## GAUGES AVAILABLE

STEEL					ALUMINIUM	
0.32	0.35	0.42	0.48	0.60	0.70	0.80
		✓				

## NON TRAFFICABLE ROOF SPANS

ROOF SPAN	0.42 BMT
Single Span	4000
End Span	4000
Internal Span	4000
Unstiffened Overhang	250
Stiffened Overhang	600

## LIGHT FOOT TRAFFIC SPANS

ROOF SPAN	0.42 BMT
Single Span	1800
End Span	1800
Internal Span	2100
Unstiffened Overhang	250
Stiffened Overhang	600

## FASTENER SPACING NON-CYCLONIC

### CREST FASTENER LOCATION

3 fasteners per sheet - end and internal supports



### Suggested V-Deck Non Cyclonic Pierce Fixing

TYPE	Fixing To Steel (Up to 1.9mm)	Fixing to Victory Box Beam	Fixing to Metal Battens (0.55 - 1.0mm)	FIXING TO TIMBER
Valley Fixed	12 - 14 x 20mm Metal Tekes Hexagon Head with seal	12 - 14 x 20mm Metal Tekes Hexagon Head with seal	M6- 11x25mm or 10-16 x 16mm Metal Tekes Hexagon Head with Seal	M6-11 x 25mm hexagon head with seal or T17 x 25mm Hex Head

**NOTE:** After exposure of cladding to an extreme wind event, it is recommended that inspection be performed to confirm cladding integrity.

## MASSES

### Nexteel™

	0.42 ONE PAN	0.42 TWO PAN	0.42 FOUR PAN
kg/lm	1.66	1.66	1.66
kg/m <sup>2</sup>	5.19	5.35	5.35

## NON-CYCLONIC SERVICEABILITY AND STRENGTH

### Non-Cyclonic V-Deck 0.42 BMT

NON-CYCLONIC wind uplift Resistance - Service and Strength Limit State Design

Span (mm)	Single Span	
	Serviceability (kPa)	Strength (kPa)
1500	1.18	9.15
1800	1.00	8.04
2100	0.84	6.93
2400	0.71	5.98
2700	0.59	5.13
3000	0.48	4.38
3300	0.38	3.96
3600	0.30	3.07
3900	0.21	2.50
4200	0.14	1.97
4500	0.07	1.47
4800	0.00	1.01

## STANDARD SPECIFICATION

### Nexteel™ Standard Painted Steel, Metallic, Ultra

Steel base metal thickness is 0.42 BMT with an aluminium / zinc alloy coating substrate complying to AS1397-2011 and paint coating complying to AS/NZS 2728 Type 4 (550 MPa minimum yield Strength)

## PAINT OPTIONS

### NextONE™

<b>Substrate:</b>	Zinc Aluminium Alloy Coated Steel
<b>Coating:</b>	150 grams per m2 minimum metallic coating mass, nominally 75 gram per side
<b>Primer:</b>	Polyester
<b>Paint:</b>	Polyester topcoat nominally 25 microns
<b>Additional Performance:</b>	Enhanced UV stability
<b>Protective Plastic Coating (if required):</b>	75 microns thick

### NextSTAR™

<b>Substrate:</b>	Zinc Aluminium Alloy Coated Steel
<b>Coating:</b>	AZ150 = 150 grams per m2 minimum metallic coating mass, nominally 75 gram per side
<b>Primer:</b>	Polyester
<b>Paint:</b>	Silicone Modified Polyester topcoat guaranteed thickness of 25 microns
<b>Additional Performance Benefits:</b>	Double UV stability and Ultra-Cool cool roof pigments
<b>Protective Plastic Coating (if required):</b>	75 microns thick

### NextFACTOR™

<b>Substrate:</b>	Zinc Aluminium Alloy Coated Steel
<b>Coating:</b>	AZ150 = 150 grams per m2 minimum metallic coating mass, nominally 75 gram per side
<b>Primer:</b>	Urethane
<b>Paint:</b>	PVDF 70% topcoat guaranteed thickness of 25 microns
<b>ColourLock Clear Coating:</b>	XL Clear DFB nominally 13um
<b>Additional Performance Benefits:</b>	Double UV stability and Ultra-Cool cool roof pigments
<b>Protective Plastic Coating (if required):</b>	75 microns thick

## PAINT OPTIONS (CONT.)

### NextSTAR™ ULTRA

Substrate:	Zinc Aluminium Alloy Coated Steel
Coating:	AZ200 = 200 grams per m2 minimum metallic coating mass, nominally 100 gram per side
Primer:	Polyester
Paint:	Silicone Modified Polyester with a topcoat guaranteed thickness of 25 microns
Additional Performance Benefits:	Double UV stability and Ultra-Cool cool roof pigments
Protective Plastic Coating (if required):	75 microns thick

### ISO 9223:2012

**Corrosion of metals and alloys — Corrosivity of atmospheres — Classification, determination and estimation.**

#### MARINE CLASSIFICATION

**Select from the following exposure severity category:**

**Class 1 (ISO 9223 Category C1):**

Rural areas far inland and remote from marine or industrial influence

**Class 2 (ISO 9223 Category C2):**

Inland areas remote from the coast or areas of pollution

**Class 3 (ISO 9223 Category C3):**

Coastal areas with low salinity

**Class 4 (ISO 9223 Category C4):**

Severe marine which begins between 100m - 400m from breaking surf or 100m from calm marine.

**Class 5 (ISO 9223 Category C5):**

Very severe marine: Close to breaking surf, typically 0 to 100m from breaking surf/exposed marine.

**Class CX: Extreme (as per AS 4312:2019):**

Rare classification, reserved for offshore structures and the most severe sea conditions