



**Revolution
Roofing**
STEEL YOURSELF

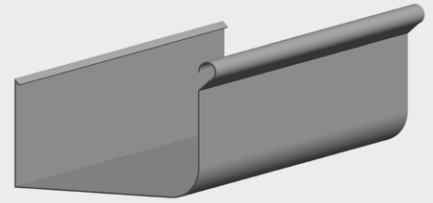
REVSPEC

V14.0

Gutter: 125 D

OVERVIEW

Cross Sectional Area	8250mm ²
Manufactured	South Australia
Gauge	0.55 BMT
Largest Outlet	100mm





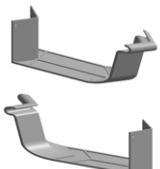
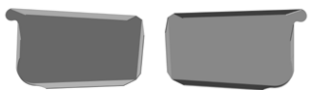
STANDARD INFORMATION

INSTALLATION		Supporting Spacing	Recommended Fall	Option for Slots	NextSTRIP Protection
Internal Strap	External Bracket				
✓	✓	1.0m	1 in 500mm	✓	✓

AVAILABLE FINISHES

RevZinc AM125	HERITAGE GALVANISED	NEXTSTAR	MATT FINISH	NextREME 200	METALLIC	ALUMINIUM	COPPER	STAINLESS STEEL
✓	✓	✓	✓	✓	✓		✓	✓

DIAGRAMS OF ITEMS & ORDERING CODES SPECIFIC TO PROFILE

EXTERNAL BRACKET	INTERNAL STRAP	CAST MITRES	STOP ENDS
			
DGBXRW	UB125	DGEMXRW / DGIMXRW	DGLSXRW / DGRSXRW

SECONDARY BRACKETS COMPATIBLE WITH 125 D GUTTER

P CLIPS	ALL IN ONE
	
P-CLIP	HLUB

GUTTER: 125 D

REVSPEC