

REVOLUTION
EuroPlus
SERIES

FOURTEEN

INTERLOCKING PANEL

DATA SHEET



**Revolution
Roofing**
STEEL YOURSELF

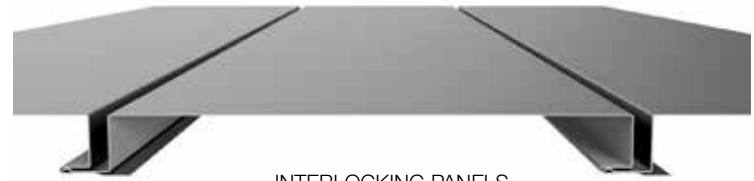
INTERLOCKING PANEL

The latest addition to the innovative Revolution Roofing product range - EuroPlus Interlocking Panel - part of the new EuroPlus Series.

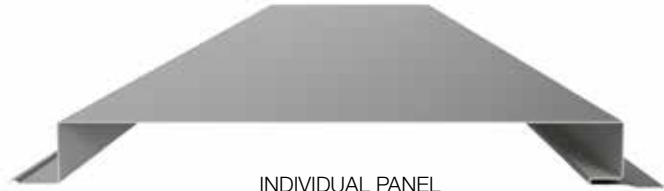
The EuroPlus Interlocking Panel is a sleek wall cladding option which provides clean lines through a recess joint and concealed fixings.

A variety of applications are available as the panels can be fixed vertically or horizontally as a wall cladding, or as a soffit panel.

When installed correctly, it provides the perfect solution for a wall cladding for both commercial and residential structures.



INTERLOCKING PANELS



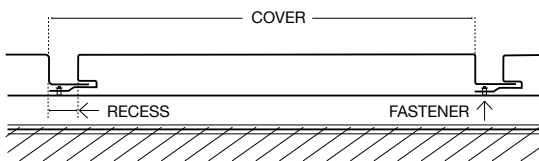
INDIVIDUAL PANEL

Standard Cover	200mm	250mm	300mm	
Length	6000mm			
Recess width	0mm	5mm	10mm	15mm
Side width	24mm			
Fixing orientation	Vertical		Horizontal	
Stop Ends	Available on request			
Available Finishes	Colour 0.55mm BMT Colour 0.8mm BMT Colour Matt Finish 0.55mm BMT Colour Ultra/ AZ200 0.55mm BMT Colour Metallic 0.55mm BMT Copper 0.7mm Corten 0.7mm Painted Aluminium 0.8mm BMT PRINTECH Aluminium 0.8mm BMT			

SUBSTRUCTURE DETAILS

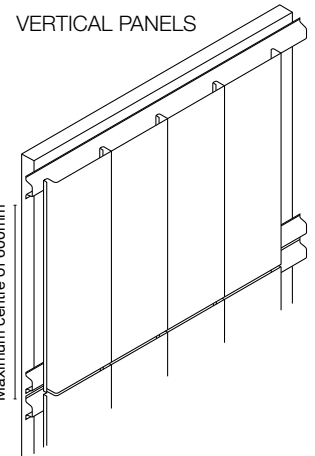
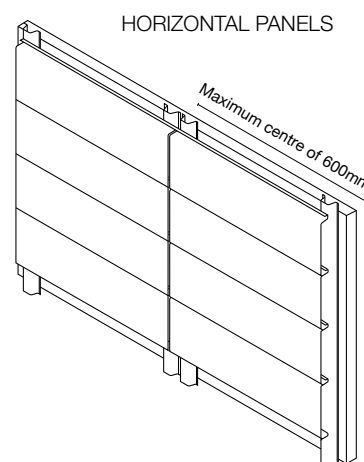
Top Hats or Battens should have a maximum centre of 600mm, should be on a level plane and be placed at right angles to the panels.

Alternatively the EuroPlus Interlocking Panel can be installed on a 15mm plywood; ensuring the plywood is fixed on a level plane and with particular attention paid to the butt joint of two plywood sheets.



Oil Canning is an inherent characteristic of non-ferrous metals with broad flat areas. The Architect, Builder, and Homeowner needs to be aware that oil canning may affect the overall aesthetic outcome. There are measures that can be taken during design and installation to minimise the risk of oil canning such as ensuring the plywood is flush, the panels are fixed vertically, limiting the continuous length of each panel, and reducing the size of the pan. For more information please go to our website, www.revolutionroofing.com.au

INSTALLATION DETAILS



revolutionroofing.com.au

Regency Park HQ
5-17 Taminga St
Regency Park
SA 5010
P 08 8352 0911

Plympton Sales & Display Centre
576 Marion Rd (cnr Bray St)
Plympton SA 5038
P 08 8352 0990

Southern Branch
14 Bredbo St
Lonsdale
SA 5160
P 08 8186 0545

Osborne Park
55b Hector St
Osborne Park
WA 6017
P 08 9217 9011

Hallam
52 Star Cres
Hallam
VIC 3803
P 03 8580 1911

