

REVOLUTION
EuroPlus
SERIES



FLAT LOCK PANEL

DATA SHEET



**Revolution
Roofing**

STEEL YOURSELF

FLAT LOCK PANEL

The latest addition to the innovative Revolution Roofing product range, EuroPlus Flat Lock Panel is part of the exciting EuroPlus Series. A versatile concealed fixed wall cladding can offer easy solutions to difficult projects.

Available in a wide range of finishes and thicknesses the Flat Lock Panel is another excellent choice in the EuroPlus Series.



FLAT LOCK SINGLE



FLAT LOCK TRIPLE



FLAT LOCK 2D COVER

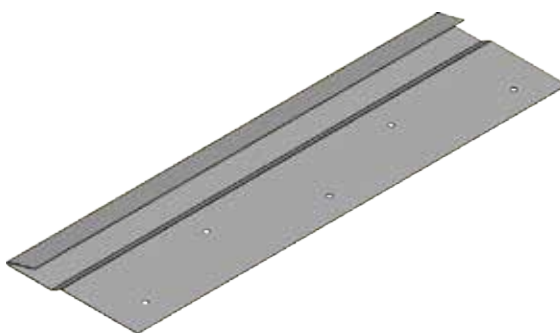
Standard cover	310mm	410mm	485mm
Variable cover	130mm minimum		510mm maximum
Joint overlap	30mm		
Fixing orientation	Vertical		Horizontal
Maximum length vertical	5000mm		
Maximum length horizontal	4000mm		
Available finishes	Colour 0.55mm BMT Colour 0.8mm BMT Colour Matt Finish 0.55mm BMT Colour Ultra/ AZ200 0.55mm BMT Colour Metallic 0.55mm BMT Zinalume 0.55mm BMT Heritage Galvanised Z600 0.55mm Copper 0.7mm Corten 0.7mm Painted Aluminium 0.8mm BMT PRINTECH Aluminium 0.8mm BMT		

SUBSTRUCTURE DETAILS

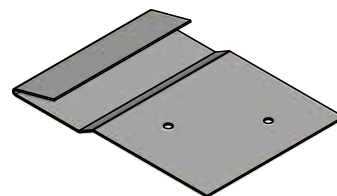
Flat Lock Panel to be installed on a plywood substrate ensuring the joints of the plywood are flush and there is a separation barrier placed between the Flat Lock and plywood to avoid condensation.

Flat Lock Panels can be curved when used in a vertical clad application; please consult Revolution Roofing Technical Department for further details.

INSTALLATION DETAILS



FLAT LOCK CLIP LARGE



FLAT LOCK CLIP SMALL

Oil Canning is an inherent characteristic of gauge cold formed metal products, particularly products with broad flat areas. The Architect, Builder, and Homeowner needs to be aware that oil canning may affect the overall aesthetic outcome. There are measures that can be taken during design and installation to minimise the risk of oil canning such as the plywood being flush, limiting the continuous length of each panel, choosing lighter colours, selecting heavier gauges or using a Matt Finish Colorbond as opposed to a standard Colorbond. For more information please go to our website, www.revolutionroofing.com.au

revolutionroofing.com.au

Regency Park HQ
5-17 Taminga St
Regency Park
SA 5010
P 08 8352 0911

Plympton Sales & Display Centre
576 Marion Rd (cnr Bray St)
Plympton SA 5038
P 08 8352 0990

Southern Branch
14 Bredbo St
Lonsdale
SA 5160
P 08 8186 0545

Osborne Park
55b Hector St
Osborne Park
WA 6017
P 08 9217 9011

Hallam
52 Star Cres
Hallam
VIC 3803
P 03 8580 1911

